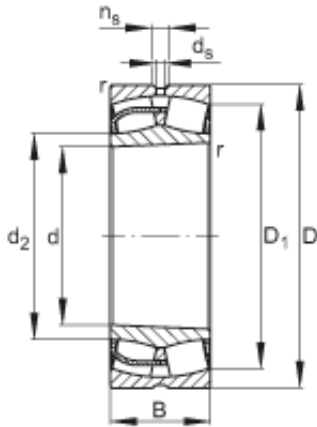




RAD Power Machinery Co., Ltd.



23240-E1-K Bearing 2D drawings and 3D CAD models

FAG 23240-E1-K spherical roller bearings

Bearing No. 23240-E1-K

Size	200x360x128 mm
Bore Diameter	200 mm
Outer Diameter	360 mm
Width	128 mm
d	200 mm
D	360 mm
B	128 mm
D ₁	305,3 mm
D _{a max}	343 mm
d ₂	235 mm
d _{a min}	217 mm
d _s	9,5 mm
n _s	17,7 mm
r _{a max}	3 mm
r _{min}	4 mm
m	57,3 kg / Weight
C _r	1940000 N / Dynamic load rating (radial)
e	0,35
Y ₁	1,95
Y ₂	2,9
C _{0r}	2700000 N / Static load rating (radial)
Y ₀	1,91
n _G	1870 1/min / Limiting speed



RAD Power Machinery Co., Ltd.

n_B	1010 1/min
C_{ur}	219000 N / Fatigue limit load, radial