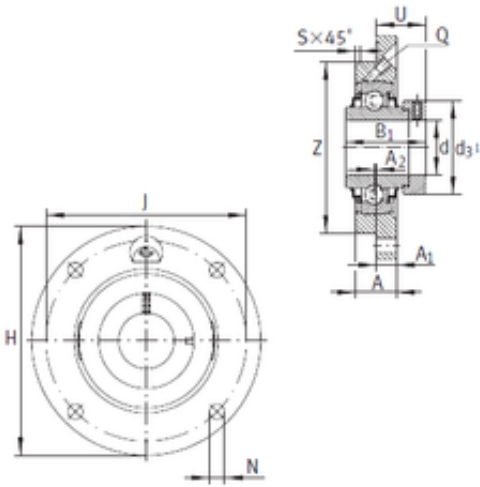




# RAD Power Machinery Co., Ltd.

## INA RME40-N bearing units

Bearing No. RME40-N



RME40-N Bearing 2D drawings and 3D CAD models

Bore Diameter	40 mm
d	40 mm
U	33,9 mm
Thread (Q)	M6
Z	100 mm
d3	58 mm
A	23 mm
A1	11,5 mm
B1	56,5 mm
H	145 mm
J	120 mm
N	11,5 mm
S	2 mm
A2	1 mm
Weight	1,74 Kg
Basic dynamic load rating (C)	32,5 kN
Category	Flange Block Bearings
Inventory	0.0
Manufacturer Name	SCHAEFFLER GROUP
Minimum Buy Quantity	N/A
Weight / Kilogram	2.084
Product Group	M06110
Number of Mounting Holes	4
Mounting Method	Eccentric Collar
Housing Style	4 Bolt Round Flange Cartridge



## RAD Power Machinery Co., Ltd.

Rolling Element	Ball Bearing
Housing Material	Cast Iron
Expansion / Non-expansion	Non-expansion
Mounting Bolts	11.5 Millimeter
Relubricatable	Yes
Insert Part Number	GE40KRRB
Seals	Double Land Riding Rubber Contact
Housing Configuration	1 Piece Solid
Pilot Configuration	With Pilot
Inch - Metric	Metric
Long Description	4 Bolt Round Flange Cartridge; 40MM Bore; 120MM Bolt Circle; 84.9MM Bolt Spacing; 1 Piece Solid; Eccentric Collar Mount; Cast Iron; Ball Bearing; 56.3MM Length Thru Bore; Relubricatable; Double Land R
Other Features	Single Row   Centering Spigot   End Cap   With Set Screw
Category	Flange Block
UNSPSC	31171501
Harmonized Tariff Code	8483.20.40.40
Noun	Bearing
Keyword String	Flanged
Manufacturer URL	<a href="http://www.ina.com">http://www.ina.com</a>
Manufacturer Item Number	RME40N
Weight / LBS	3.837
Bore	1.575 Inch   40 Millimeter
Length Thru Bore	2.217 Inch   56.3 Millimeter
Cartridge Pilot Diameter	3.937 Inch   100 Millimeter
Bolt Spacing	3.3 Inch   84.9 Millimeter
Nominal Bolt Circle	4.7 Inch   120 Millimeter



## RAD Power Machinery Co., Ltd.

Diameter Round	
Cartridge Pilot Depth	0.374 Inch   9.5 Millimeter