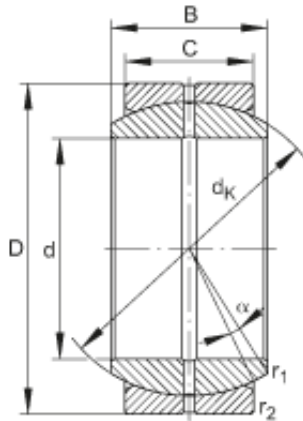




RAD Power Machinery Co., Ltd.



INA GE120-DO plain bearings

Bearing No. GE120-DO

Size	120x180x85 mm
Bore Diameter	120 mm
Outer Diameter	180 mm
Width	85 mm
C	70 mm
$D_{a \min}$	150 mm
$d_{a \max}$	135,5 mm
d_k	160 mm
$r_{1s \min}$	1 mm
$r_{2s \min}$	1 mm
alf (°)	6
Weight (kg)	8
C_r (N)	952000
C_{0r} (N)	4760000
Category	Spherical Plain Bearings - Radial
Inventory	0.0
Manufacturer Name	SCHAEFFLER GROUP
Minimum Buy Quantity	N/A
Weight / Kilogram	9.616
EAN	4012802529760
Product Group	B04264
Self Aligning	Yes
Rolling Element	Spherical Plain
Material - Outer Member	Steel
Material - Ball	Steel

GE120-DO Bearing 2D drawings and 3D CAD models



RAD Power Machinery Co., Ltd.

Material - Liner	Not Applicable
Relubricatable	Yes
Enclosure	Open
Other Features	2 Piece Single Axial Split in Outer Ring
Long Description	120MM Bore; 70MM Housing Width; 180MM Outside Diameter; Spherical Plain; Steel Outer Member; Steel Ball; No Liner; 85MM Overall Width; Relubricatable
Inch - Metric	Metric
Category	Plain Bearings Spherical Radial
UNSPSC	31171515
Harmonized Tariff Code	8483.30.80.70
Noun	Bearing
Keyword 3	Spherical
Keyword String	Plain Spherical Radial
Manufacturer URL	http://www.ina.com
Manufacturer Item Number	GE120DO
Weight / LBS	17.64
Outside Diameter	7.087 Inch 180 Millimeter
Housing Width	2.756 Inch 70 Millimeter
Bore	4.724 Inch 120 Millimeter
Overall Width	3.346 Inch 85 Millimeter