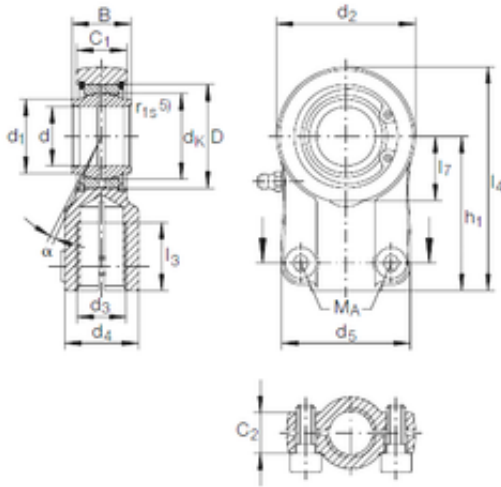




RAD Power Machinery Co., Ltd.

INA GIHNRK 16 LO plain bearings



Bearing No. GIHNRK 16 LO

Size	16x28x16 mm
Bore Diameter	16 mm
Outer Diameter	28 mm
Width	16 mm
d	16 mm
D	28 mm
B	16 mm
Screw	M6X16
d1	20 mm
d2	40 mm
d4	21 mm
dk	23 mm
h1	44 mm
l3 min.	19 mm
l4 max.	64 mm
l7 min.	18 mm
C1	13 mm
Thread (G)	M14X1,5
Angle	4 °
d5	40 r/min
C2	13 mm
Weight	0,2 Kg
Basic dynamic load rating (C)	17,6 kN

GIHNRK 16 LO Bearing 2D drawings and 3D CAD models