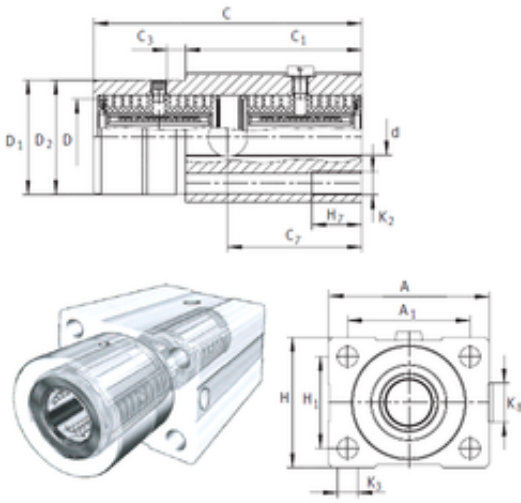




RAD Power Machinery Co., Ltd.

INA KTFS25-PP-AS linear bearings

Bearing No. KTFS25-PP-AS



KTFS25-PP-AS Bearing 2D drawings and 3D CAD models

Bore Diameter	25 mm
d	25 mm
C7	61 mm
H7	26 mm
K3	10,5 mm
Thread (K2)	M12
Thread (K8)	M8X1
C3	10 mm
A	74 mm
A1	56 mm
C	122 mm
C1	73 mm
D	38 mm
D1	52 mm
D2	52 mm
H	60 mm
H1	42 mm
Weight	1 Kg
Basic dynamic load rating (C)	6,4 kN