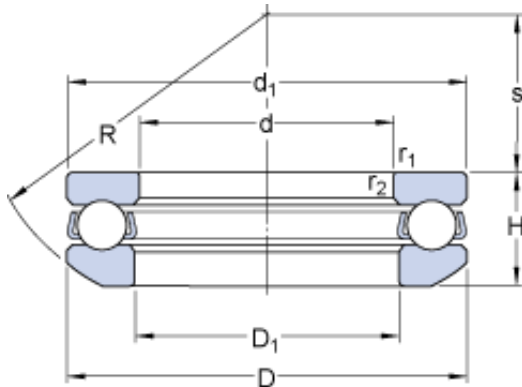




RAD Power Machinery Co., Ltd.



53202 + U 202 Bearing 2D drawings and 3D CAD models

SKF 53202 + U 202 thrust ball bearings

Bearing No. 53202 + U 202

Size	32x15x13.3 mm
Bore Diameter	32 mm
Outer Diameter	15 mm
Width	13,3 mm
d	15 mm
D	32 mm
H	13.3 mm
H ₁	15 mm
d ₁	32 mm
D ₁	17 mm
D ₂	24 mm
D ₃	35 mm
C	4 mm
R	28 mm
s	12 mm
r _{1,2} - min.	0.6 mm
d _a - min.	25 mm
D _a - max.	24 mm
r _a - max.	0.6 mm
Basic dynamic load rating - C	15.9 kN
Basic static load rating - C ₀	25 kN
Fatigue load limit - P _u	0.915 kN
Reference speed	7000 r/min
Limiting speed	10000 r/min



RAD Power Machinery Co., Ltd.

Minimum load factor - A	0.0038
H_1	15 mm
d_1	32 mm
D_1	17 mm
D_2	24 mm
D_3	35 mm
$r_{1,2}$ min.	0.6 mm
d_a min.	25 mm
D_a max.	24 mm
r_a max.	0.6 mm
Basic dynamic load rating C	15.9 kN
Basic static load rating C_0	25 kN
Fatigue load limit P_u	0.915 kN
Minimum load factor A	0.0038
Mass bearing (including seat washer where applicable)	0.063 kg