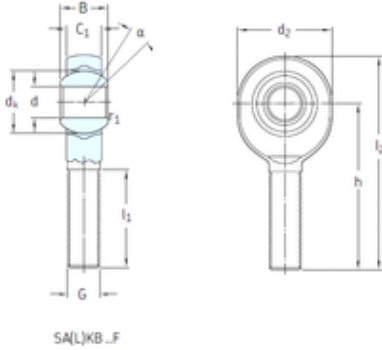




RAD Power Machinery Co., Ltd.

SKF SALKB22F plain bearings



Bearing No. SALKB22F

Bore Diameter	22 mm
d	22 mm
d2 max.	55 mm
dk	38,1 mm
h	84 mm
l1 min.	48 mm
l2 max.	114 mm
r1 min.	0,3 mm
B	28 mm
C1 max	20 mm
Thread (G)	M22x1,5 Tolerance 6g
Angle	15 °
Weight	0,46 Kg
Basic dynamic load rating (C)	38 kN

SALKB22F Bearing 2D drawings and 3D CAD models