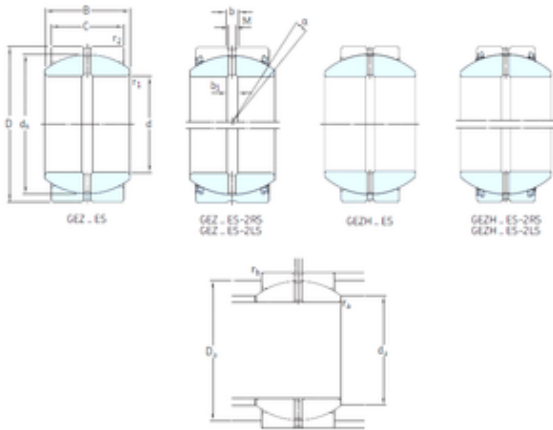




RAD Power Machinery Co., Ltd.



SKF GEZH212ES-2LS plain bearings

Bearing No. GEZH212ES-2LS

Size	69.85x120.65x70.87 mm
Bore Diameter	69,85 mm
Outer Diameter	120,65 mm
Width	70,87 mm
d	69,85 mm
D	120,65 mm
B	70,87 mm
C	57,15 mm
b	9 mm
b1	8 mm
dk	109,525 mm
r1 min.	2 mm
r2 min.	1 mm
M	6,5 mm
da min.	78,6 mm
da max	83,5 mm
Da min	104,8 mm
Da max.	115 mm
ra max.	2 mm
rb max.	1 mm
Angle	8 °
Weight	3,65 Kg
Basic dynamic load rating (C)	500 kN

GEZH212ES-2LS Bearing 2D drawings and 3D CAD models